

# Device Racks

## for Carrier 30 Cart™

Compatible with MK4 & MK5 Carrier 30 Cart - (Product codes: 10006, 10008, 10135)

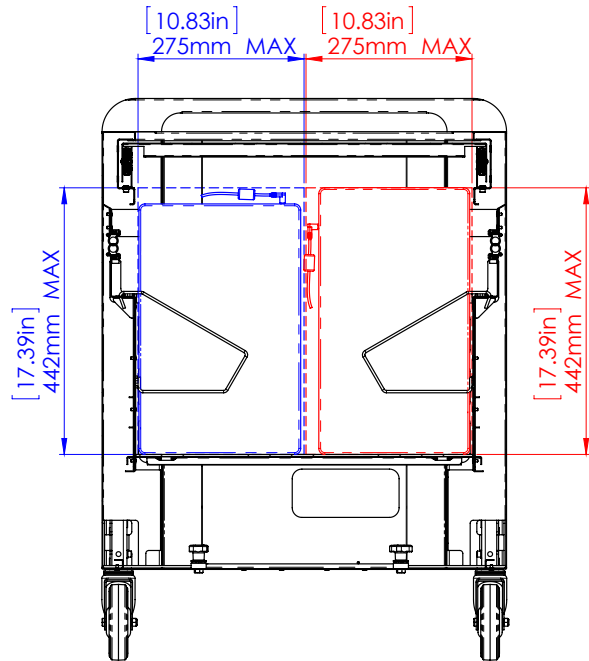
Need to fit bigger devices in your Carrier 30 Cart? Install LocknCharge's Device Racks and expand the device compatibility to large Chromebooks, Macbooks and Laptops.



# Follow the steps below to check your device's compatibility with the Carrier 30 Cart.

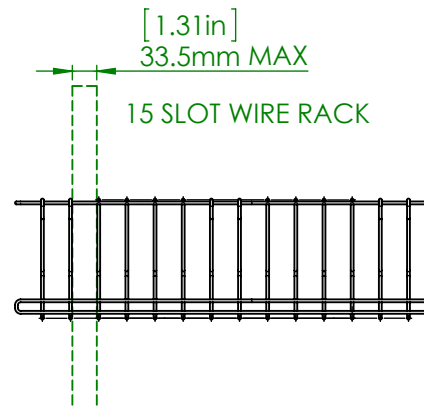
1

Check where the power inlet is located on your device. Is it on the side or on the rear of your device?



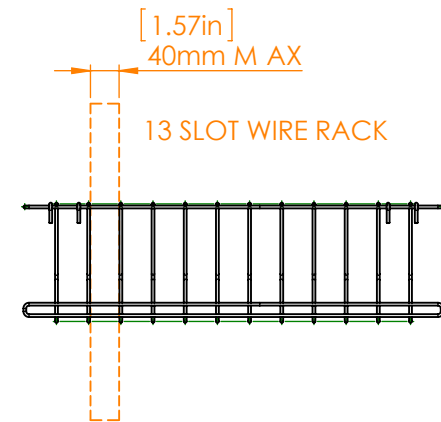
2

Check your device dimensions. Use the **blue** measurements if the power inlet is on the side. Use the **red** measurements if the power inlet is on the rear.



3

If your device is smaller than the measurements shown below, your device is compatible.



CART COMPATIBILITY	MFR. CODE AND DESCRIPTION	TOTAL DEVICES PER CART	MAX DIMENSIONS WITH POWER CABLE (mm):	MAX DIMENSIONS WITH POWER CABLE (inches):
10006, 10008, 10135	10106: Device rack 15 slot pair	30	442 x 275 x 33.5	17.39 x 10.83 x 1.31
10006, 10008, 10135	10107: Device rack 13 slot pair	26	442 x 275 x 40	17.39 x 10.83 x 1.57

[www.lockncharge.com](http://www.lockncharge.com)  
 Phone: 888-943-6803  
[support@lockncharge.com](mailto:support@lockncharge.com)

